

High Efficiency Compressed Air Dryers

The CompAir A_LX range of desiccant air dryers, offers the user uncompromised performance from a dedicated “point of use” Clean Dry Air system. It is easy to install and will transform an ordinary process into a highly reliable and efficient production operation.

Compressed air purification equipment must deliver uncompromising performance and reliability whilst providing the right balance of air quality with the lowest cost of operation. Many manufacturers offer products for the filtration and purification of contaminated compressed air, which are often selected only upon their initial purchase cost, with little or no regard for the air quality they provide, the cost of operation throughout their life or indeed their environmental impact. When purchasing purification equipment, delivered air quality, the overall cost of ownership and the equipment’s environmental impact must always be considered.



Benefits:

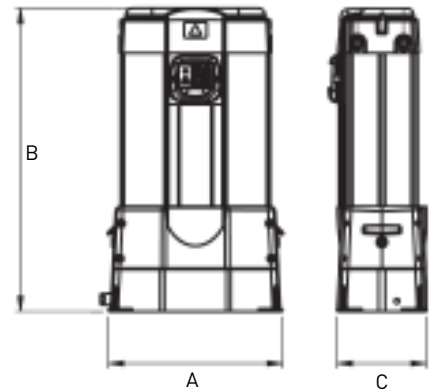
- A_LX dryers provide efficient removal of water vapour from compressed air.
- Delivered air quality is in accordance with ISO 8573-1 : 2001, the international standard for compressed air quality.
- Pressure Dewpoint of -40 °C (optional -70 °C) (ISO 8573-1 : 2001 Classes 1 & 2) are available.
- The -40 °C & -70 °C pressure dewpoint not only eliminates corrosion, it also inhibits the growth of micro-organisms.
- Improves production efficiency and reduces maintenance costs and downtime.
- Ideal for both, compressor room and point of use applications. Can be installed almost anywhere. IP66 / NEMA 4 protection as standard.
- Low noise level <70 db (A).
- One Combi-Cartridge per column containing DRYFIL® MS desiccant and Grade F particulate filter plus integral Grade E high efficiency filter
- Electronic display providing high visibility LED indication with an internal audible alarm.
- The unique modular construction and snowstorm filled Cartridges of the adsorbent desiccant material provides:
 - Consistent dewpoint performance
 - Smaller, compact and lightweight dryer
 - Simple to install and easy to maintain
 - Fully corrosion protected inside and out
 - Approved to International Standards. Designed in accordance with ASME VIII Div.1, approved to CSA/UL/CRN and fully CE Marked (PED, EMC, LVD) as standard.
 - Eliminates the need for costly annual pressure vessel inspections
 - 10 year guarantee on pressure envelope

Technical Data

Model	A1LX	A2LX	A3LX	A4LX	A5LX	A6LX	A7LX	
Air flow at 20 °C, 1 bar (a) according ISO 1217,C	m ³ /min	0.09	0.14	0.23	0.28	0.37	0.43	0.57
	cfm	3	5	8	10	13	15	20
Min. Inlet Pressure	bar(g)			4				
Max. Inlet Pressure	mbar			12				
Min. Temperature	°C			2				
Max. Temperature	°C			50				
Dimensions	Width mm (A)	289						
	Height mm (B)	422	500	616	692	847	906	1098
	Depth mm (C)	149						
Weight	kg	11	13	16	18	20	23	28
Electric supply	230V/1Ph/50Hz optional 115V/1Ph/60HZ							
Pipe Size	3/8"							

Correction Factor

Minimum inlet Pressure bar	Maximum inlet Temperature °C			
	35	40	45	50
4	0.63	0.61	0.55	0.46
5	0.75	0.73	0.66	0.55
6	0.88	0.85	0.77	0.64
7	1.00	0.97	0.88	0.73
8	0.97	0.94	0.85	0.71
9	1.08	1.05	0.95	0.79
10	1.18	1.14	1.04	0.86
11	1.29	1.25	1.14	0.94
12	1.40	1.36	1.23	1.02



Example

Selecting a dryer for a compressor producing, at full load 0,23 m³/min (8cfm) at 6 bar g (87psi g) with 35 °C (95 °F) air inlet temperature and a pressure dewpoint requirement of -40 °C (-40 °F).

Step 1

From the sizing chart select the required pressure at 6 bar g (87psi g) and read across to the required inlet temperature at 35 °C (95 °F). The Correction Factor is 0.88.

Step 2

To adjust the flow for your application, divide the required flow by the 0.88 Correction Factor.

$$\text{Example: Sizing Capacity} = \frac{\text{Actual Flow}}{\text{Correction Factor}} = \frac{0,23 \text{ m}^3/\text{min}}{0.88} = 0,26 \text{ m}^3/\text{min}$$

Step 3

From the Model Selector, select the dryer which has a rated flow capacity of 0,26 m³/min (9cfm) or higher.

Selected model for this example is a A4LX.

Accessories

- Fixed Wall Mounting Bracket
- 45 ° Tilt Wall Mounting Bracket
- Volt Free Relay Kit



CompAir policy is one of continuous improvement and we therefore reserve the right to alter specifications and prices without prior notice. All products are sold subject to the Company's conditions of sale.