

Water Separators

The ultimate prefiltration & separation technology



Significantly reduces maintenance costs

The unique fins on the centrifugal module have been custom engineered using the latest CFD software to identify and eliminate points of low efficiency, ensuring excellent liquid removal even at low flow velocities.

The shield at the bottom of the module prevents re-entrainment of separated water and creates a calm zone allowing for bespoke drainage options.

Exceptional performance levels

¼" to 3" threaded housings are manufactured in robust cast aluminium alloy with a corrosion protective E-Coat finish.

CompAir's high efficiency water separators are a viable, cost effective solution to bulk liquid removal.

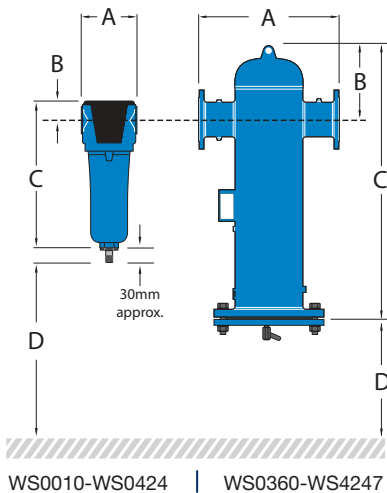
Tested in accordance with ISO 12500-4

WS Series Water Separators

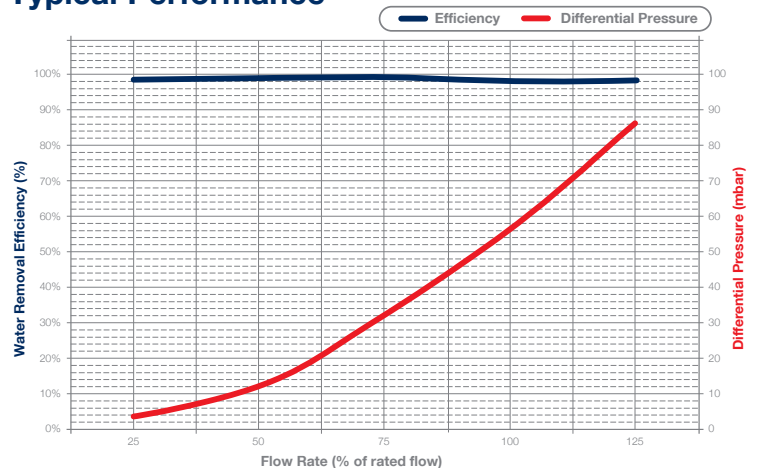
Technical Specifications

Filter model	Pipe size	Flow rate		Dimensions (mm)				Weight Kg
		m ³ /min	SCFM	A	B	C	D	
WS0010	3/8	0.99	35	70	25	191	90	0.7
WS0020	1/2	1.98	70	100	35	276	110	1.5
WS0035	3/4	3.54	125	100	35	276	110	1.5
WS0050	1	4.96	175	100	35	276	110	1.5
WS0079	1 1/4	7.93	280	122	42	460	150	2.5
WS0113	1 1/2	11.33	400	146	52	482	180	4
WS0198	2	19.82	700	146	52	482	180	4
WS0240	2 1/2	24.07	850	210	67	595	200	8.5
WS0424	3	42.48	1500	210	67	595	200	8.5
WS0360	DN80	35.96	1270	450	265	1205	n/a	58
WS0516	DN100	51.65	1824	520	285	1245	n/a	74
WS1082	DN150	108.28	3824	680	400	1400	n/a	165
WS1832	DN200	183.21	6470	780	400	1460	n/a	260
WS2831	DN250	283.17	10000	900	550	1570	n/a	450
WS4247	DN300	424.75	15000	900	600	1620	n/a	550

Dimensions



Typical Performance



Tested in accordance with ISO12500-4.
Exceptional performance at any flow rate makes it perfect for use in variable speed compressor applications.

Technical notes

- Models WS0010-WS0424 are fitted with float operated automatic drain valves as standard. When high quantities of liquid are anticipated, CompAir recommend the use of electronic drain valves. Models WS0360-WS4247 are fitted with manual drain valves as standard.
- An additional 1/2" side entry port is included on models WS0360 to WS1832, 3/4" for WS2831 and WS4247.
- A connecting kit is required to connect a water separator to an LF series filter.

Grade	WS	
Maximum recommended operating temperature	120°C	248°F
Minimum recommended operating temperature	1.5°C	35°F
Maximum working pressure	16 barg	232 psig

CompAir (Australasia) Limited
13-17 Progress Street
Dandenong South Vic 3175
Ph: 1800 634 077 Fx: 1800 638 854
www.compair.com.au
sales@compair.com.au